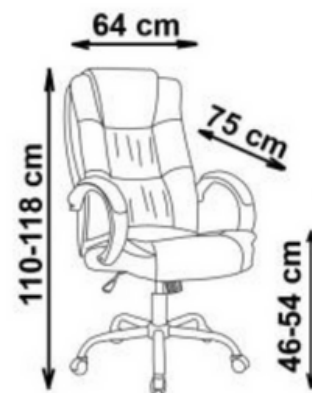
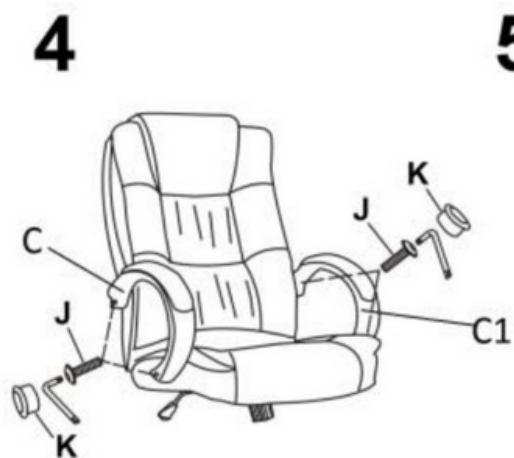
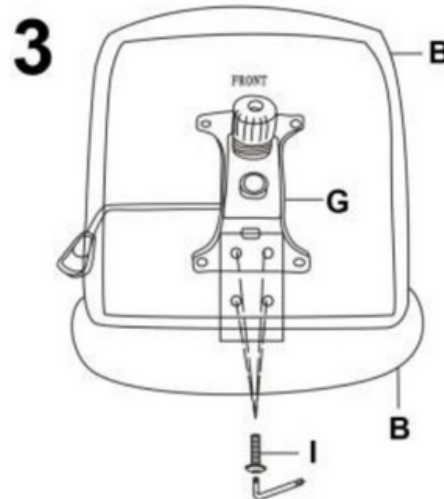
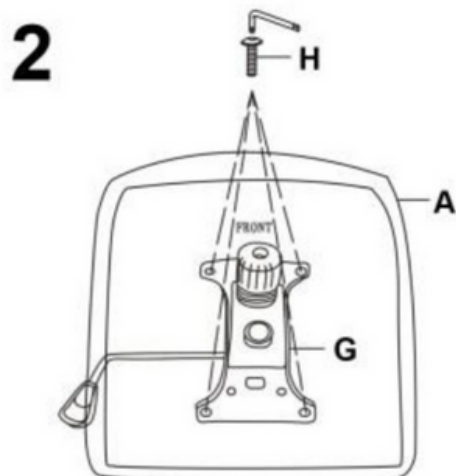
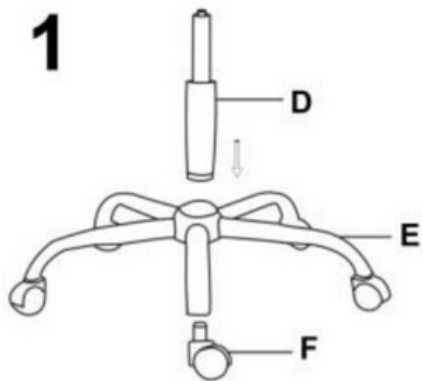


# RELAX



|                |  |   |
|----------------|--|---|
| A              |  | 1 |
| B              |  | 1 |
| C              |  | 1 |
| C <sub>1</sub> |  | 1 |
| D              |  | 1 |
| E              |  | 1 |
| F              |  | 5 |
| G              |  | 1 |
| H              |  | 4 |
| I              |  | 4 |
| J              |  | 4 |
| K              |  | 4 |

**130 kg**  
maximum

