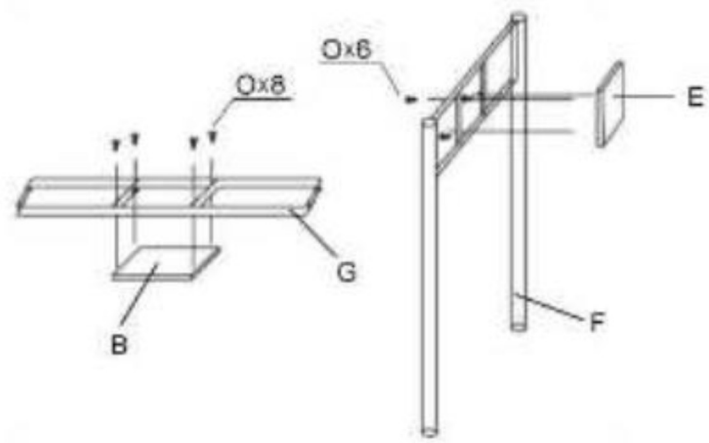
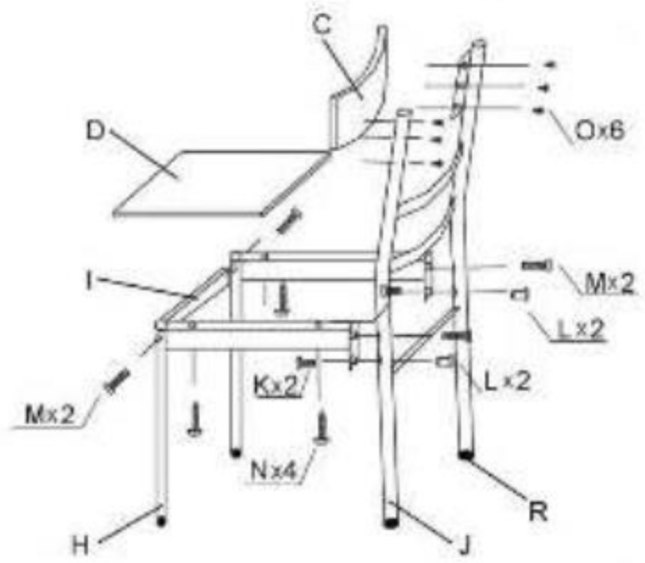
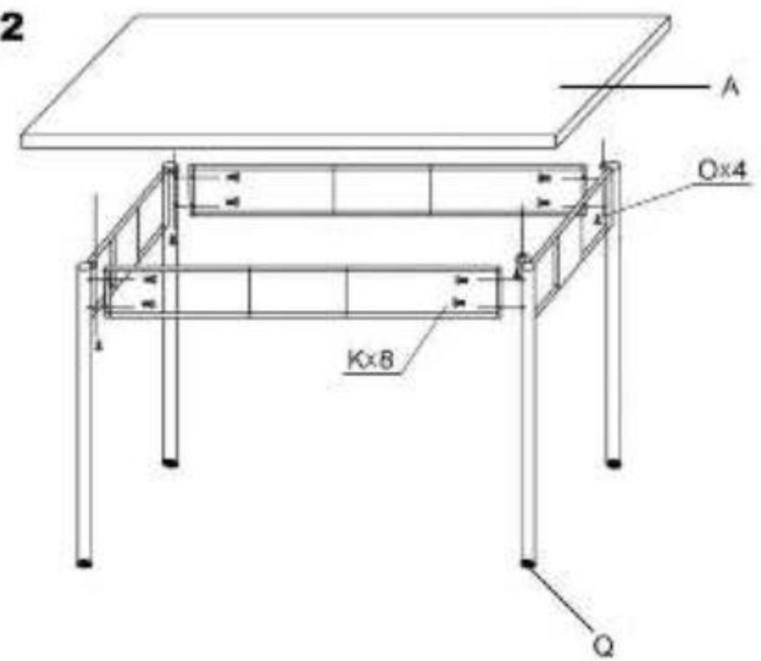


NATANIEL 4+1

1



2



A		1	G		2	M		16
B		2	H		8	N		16
C		4	I		4	O		42
D		4	J		4	P		2
E		2	K		16			
F		2	L		8			